

SPARE PARTS SECTION

Electric Pipe & Tube Bender

Models TB-60 & TB-70

Order Code T606, Order Code T607

Edition No :TB-60,70-2

Date of Issue :02/2021

The following section covers the spare parts diagrams and lists that were current at the time this manual was originally printed. Due to continuous improvements of the machine, changes may be made at any time without notification.

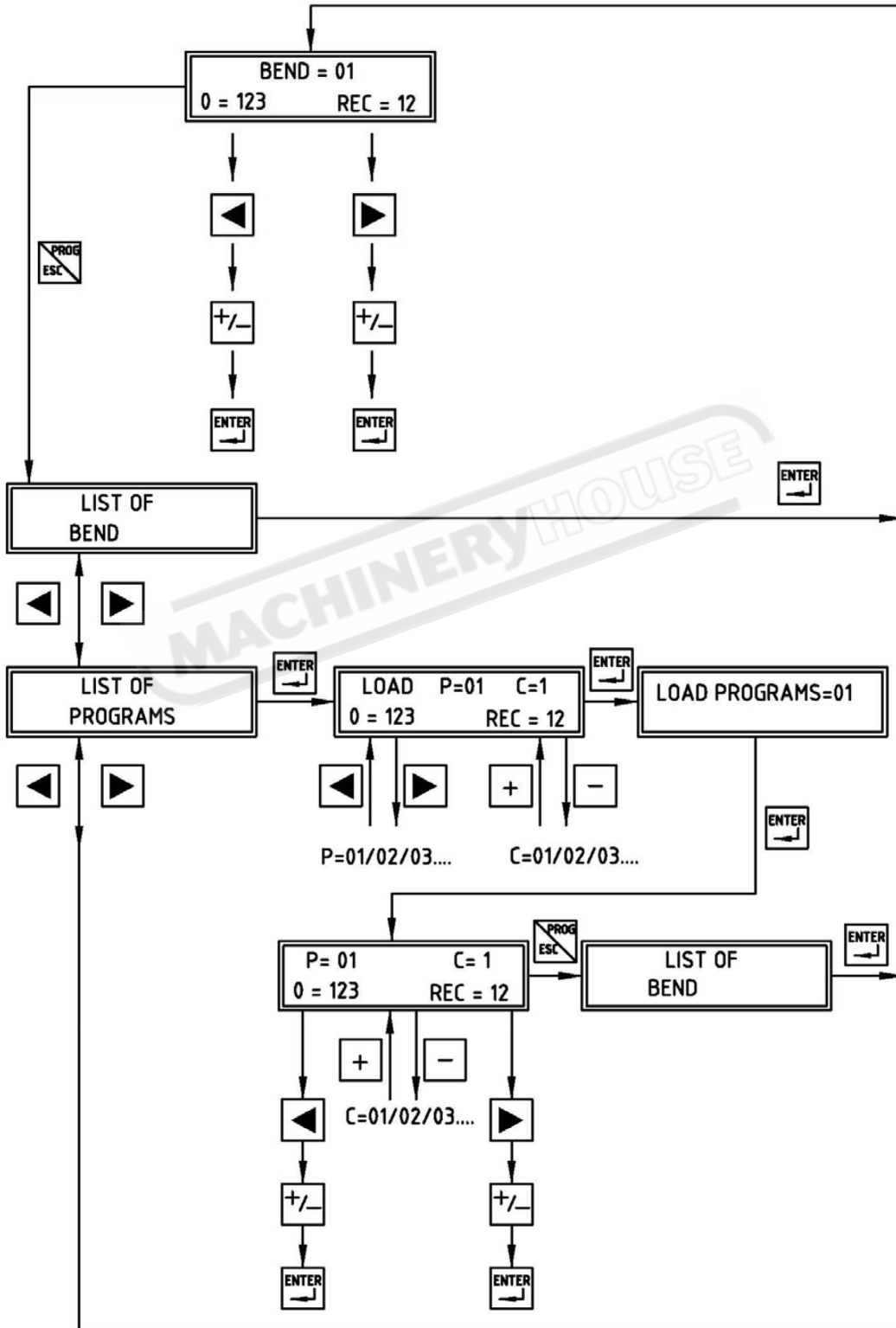
HOW TO ORDER SPARE PARTS

1. Have your machines **model number, serial number & date of manufacture** on hand, these can be found on the specification plate mounted on the machine
2. A scanned copy of your parts list/diagram with required spare part/s identified
3. Go to www.machineryhouse.com.au/contactus and fill out the inquiry form attaching a copy of scanned parts list.

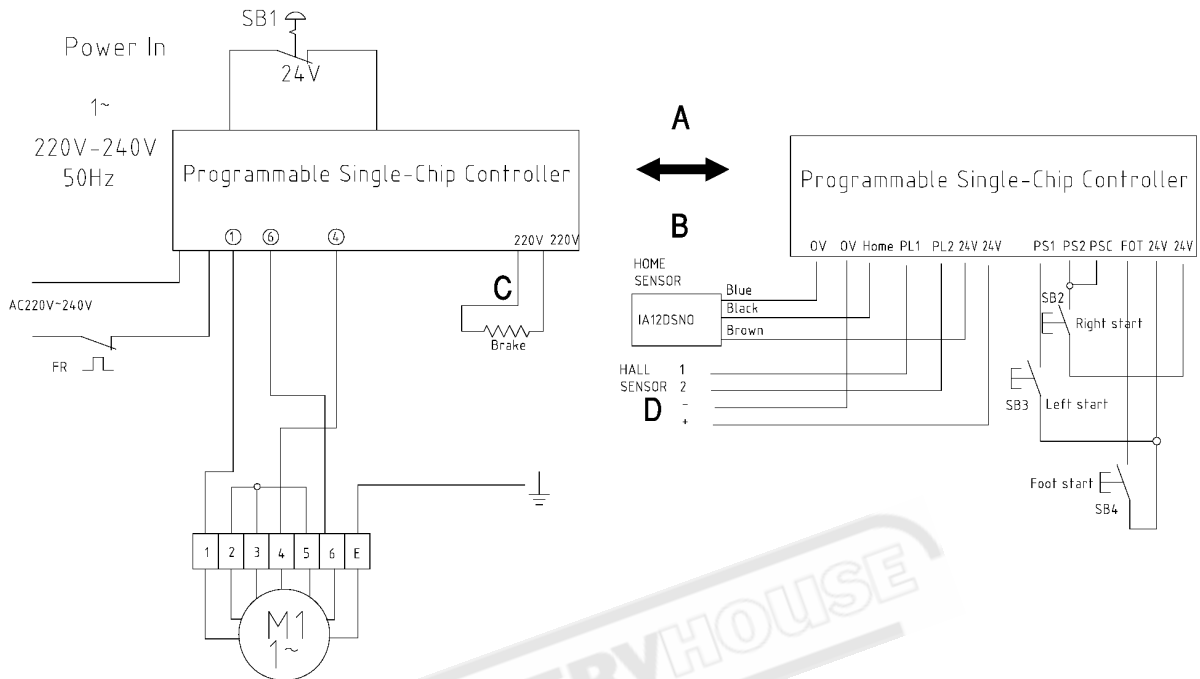
CONTENTS

Digital Control Sequence.....	25
TB-60 Electrical Diagram (240volt).....	26
TB-60 Spare Parts Diagram.....	28
TB-60 Spare Parts List.....	29
TB-70 Electrical Diagram (415volt).....	32
TB-70 Spare Parts Diagram.....	36
TB-70 Spare Parts List.....	37

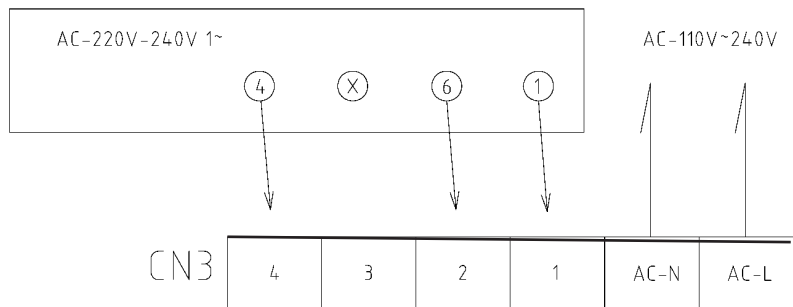
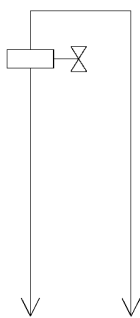
DIGITAL CONTROL SEQUENCE



TB-60 ELECTRICAL DIAGRAM (240VOLT)

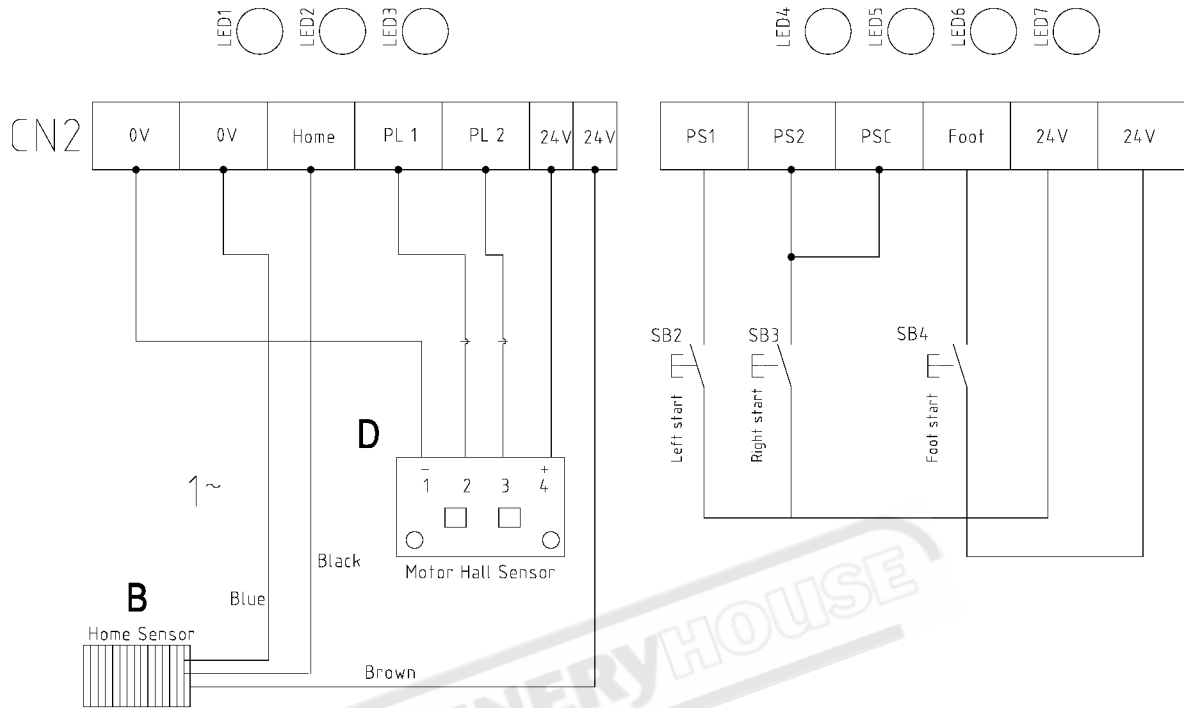


C BREAK FOR 220V-240V



CN2	220V	220V	110V	110V
	BK-	BK+	BK+	BK-

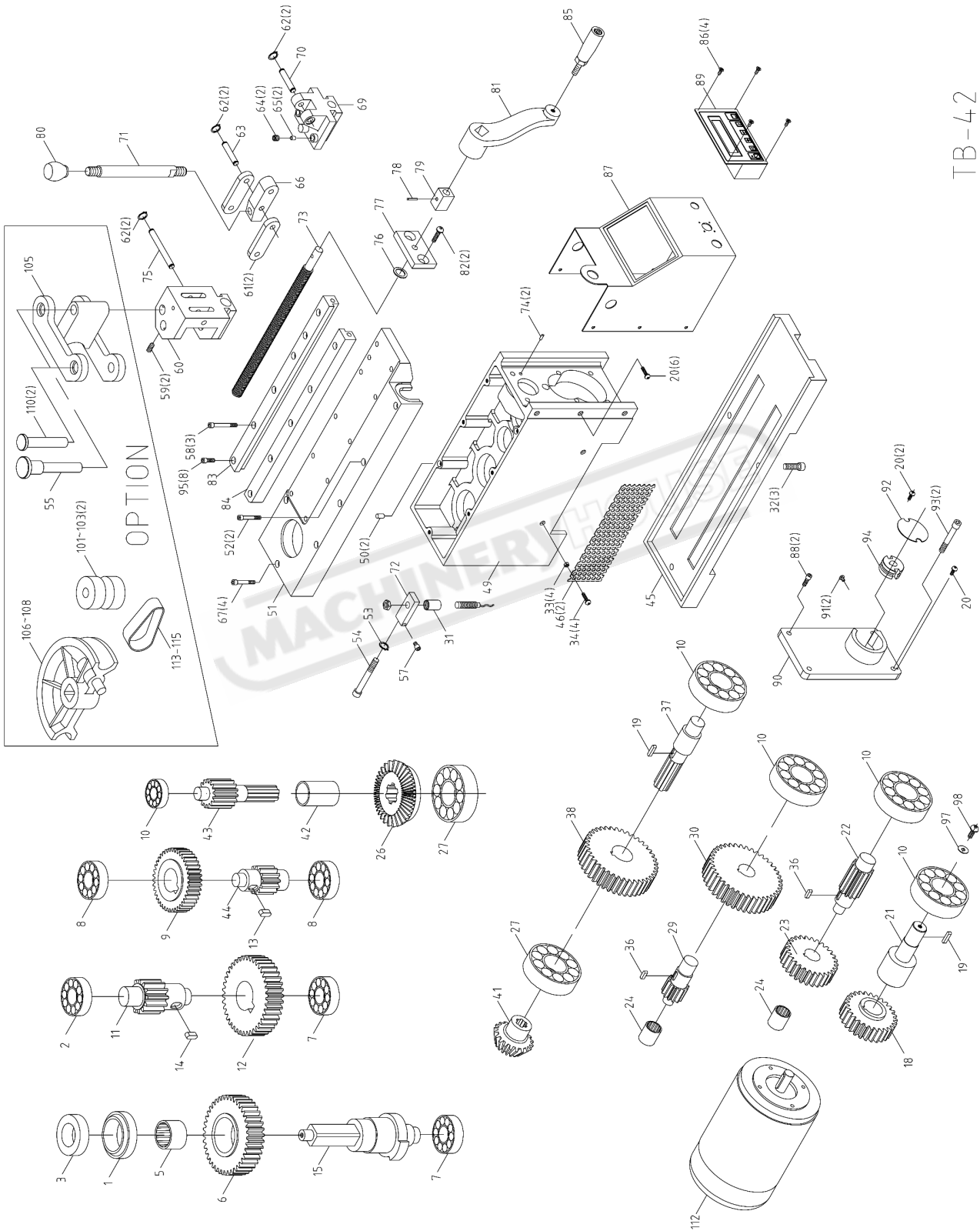
TB-60 ELECTRICAL DIAGRAM (240VOLT)



TB-60 ELECTRICAL PARTS LIST (240VOLT)

Item	Function	Technical Data	Qty
A	Programmable Single Chip Controller		1
B	Home Sensor	DC 10-30V	1
C	Brake		1
D	Hall Sensor		1
SB1	Emergency Stop Switch	HY57	1
SB2	Right Start	NPB-F-1a	1
SB3	Left Start	NPB-F-1a	1
SB4	Optional Foot Start	Optional	1
M1	Motor for TB-60	1.5hp/230V/50HZ/1P/2P	1
FR	Overload Relay (TB60 only)	8A	1

TB-60 SPARE PARTS DIAGRAM



TB-42

TB-60 SPARE PARTS LIST

No.	Part No.	Description	Specification	Qty
1	168029	Positioning ring		1
2	CANU206	Bearing	NU206	1
2-1	HS519	Cross Round Head Screw	M5x10L	2
2-2	HW003	Washer	M5	2
3	168030	Outlet shaft's spacer		1
5	CANK6525	Bearing	NK65/25	1
6	168013	Outlet gear		1
7	CA6206ZZ	Bearing	6206ZZ	2
8	CA6204ZZ	Bearing	6204ZZ	2
9	168017	Plate wheel		1
10	CA62022RS	Bearing		5
11	168014	Pinion		1
12	168015	Plate wheel		1
13	168536	Key	8x7x20L	1
14	168535	Key	12x8x20L	1
15	168012	Outlet shaft		1
18	168028	Motor's Pinion		1
19	HK118	Key	5*5*12L	2
20	HT020	Cross Round Head Screw	M5-0.8PX8L	9
21	168027	Motor shaft's nut		1
22	168025	Motor's pinion		1
23	168026	Motor's plate wheel		1
24	CAHK1012	Bearing	HK1012	2
26	168020	Plate wheel		1
27	CA60042RS	Bearing	6004-2RS	2
29	168024	Pinion		1
30	168023	Plate wheel		1
31	168031	Spacer		1
32	HS259	Hex. Socket Head Screw	M10-1.5Px25L	3
33	HN003	Hex. Nut	M5	4
34	HT002	Cross Round Head Screw	M5-0.8Px16L	4
36	HK006	Key	5x5x10L	2
37	168019	Keyed shaft		1
38	168022	Plate wheel		1
41	168021	Bevel pinion		1
42	168033	Spacer		1
43	168018	Outlet pinion		1
44	168016	Pinion		1
45	168001	Reduction box base		1

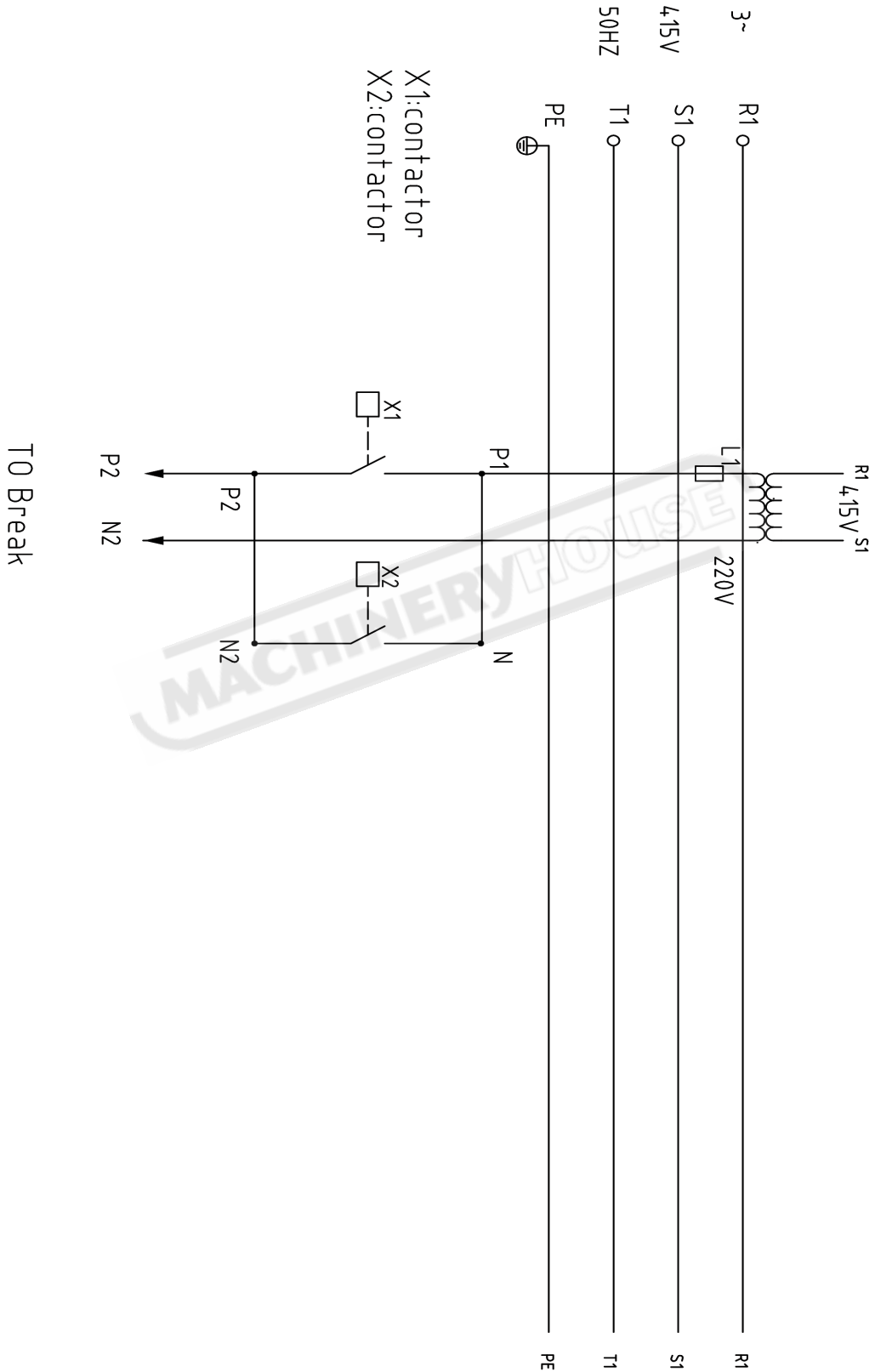
TB-60 SPARE PARTS LIST Cont.

No.	Part No.	Description	Specification	Qty
46	168034	Protection plate		2
49	168003	Reduction box		1
50	168061	Positioning ring		2
51	168002	Box reduction cap		1
52	HS250	Hex. Socket Head Screw	M8x60L	2
53	HCS39	C-Retainer Ring	S8	1
54	168062	Screw		1
55	168036	C/former support pin		1
57	HS332	Hex. Socket Head Screw	M5X6L	1
59	HS413	Hex. Socket Headless Screw	M5x5L	2
60	168011	C/former support		1
61	168038	Action rod		2
62	HCS01	C-Retainer Ring	S10	6
63	168039	Plug rod		1
64	HS430	Hex. Socket Headless Screw	M8x10L	2
65	168739	Friction plate		2
66	168040	Locking rod		1
67	HS248	Carriage Screw	M8x50L	6
69	168005	Quick positioner		1
70	168042	Plug for quick positioner		1
71	168043	Locking lever		1
72	168044	Sensor plate		1
73	168010	Regulation screw		1
74	HP108	Pin	Ø6X12L	2
75	168045	Plug 10x85		1
76	168046	Washer		1
77	168047	Flange regulation screw		1
78	HP031	Spring Pin	Ø6X20L	1
79	168048	Hexagon regulation screw		1
80	290086	Plastic Round Knob		1
81	168060	Action arm		1
82	HT043	Cross Round Head Screw	M10X20L	2
84	HS242	Hex. Socket Head Screw	M8x20L	12
85	6027-1S	Clamp Handle		1
86	HS639	Flat Cross Head Screw	M3X6L	4
87	168051D	Front Cover Plate		1
88	HS244	Hex. Socket Head Screw	M8x30L	2
89	ET2544	Controller	110/220V//1PH	1
89	ET2545	Controller	220/380V//3PH	1

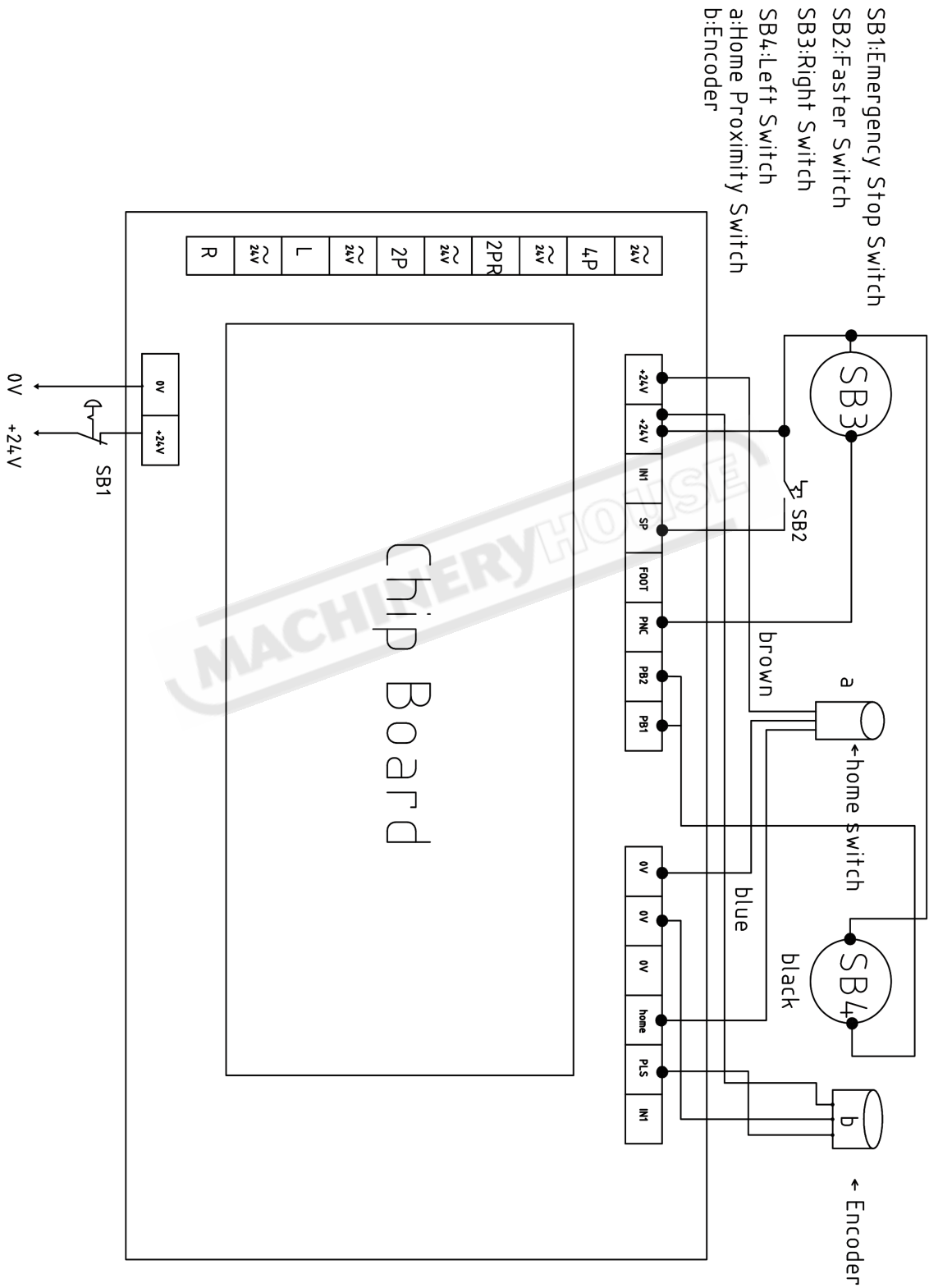
TB-60 SPARE PARTS LIST Cont.

No.	Part No.	Description	Specification	Qty
90	168004	Flange		1
91	HS503	Cross Round Head Screw	M3x10L	2
92	168032	Cover		1
93	HS252	Hex. Socket Head Screw	M8x70L	2
94	168065	Magnets flange		1
97	HW016	Washer	φ6.5Xφ18xt1.5mm	1
98	HT003	Cross Round Head Screw	M6-1.0Px10L	1
101	168054	Roll-1	1/2"G (Optional)	2
102	168055	Roll-2	1"G (Optional)	2
103	168056	Roll-3	1 1/4"G (Optional)	2
104	168059	Roll-4	1/4"G (Optional)	2
105	168057	Guide body	(Optional)	1
106	168006	Former-1	1/4"G (Optional)	1
107	168007	Former-2	1/2"G (Optional)	1
108	168008	Former-3	1"G (Optional)	1
109	168009	Former-4	1 1/4"G (Optional)	1
110	168058	C/former support	(Optional)	2
112		Motor	1.5HP/50HZ/220V/1PH	1
113	168067	Ring-1	1/4"G (Optional)	1
114	168068	Ring-2	1/2"G (Optional)	1
115	168069	Ring-3	1"G (Optional)	1
116	168070	Ring-4	1 1/4"G (Optional)	1
117	168264	Handle Rod	(Optional)	1
118	168265	Foot Switch Bracket	(Optional)	1
119	HN006	Hex. Nut	M10 (Optional)	1
120	HW106	Spring Washer	M10 (Optional)	1
121	MET1654	Foot Switch	(Optional)	2
122	HE506	Cross Round Head Screw	M5x10L (Optional)	6
123	HN003	Hex. Nut	M5 (Optional)	6
124	MET2190	Coupler	1/2" (Optional)	1
125	MET2189	Hose	1/2" (Optional)	1
126	168097	Scale	(Optional)	1
127	HH001	Rivet	ØM2x5L (Optional)	2
128	PJNG681505E4	Lable	(Optional)	1

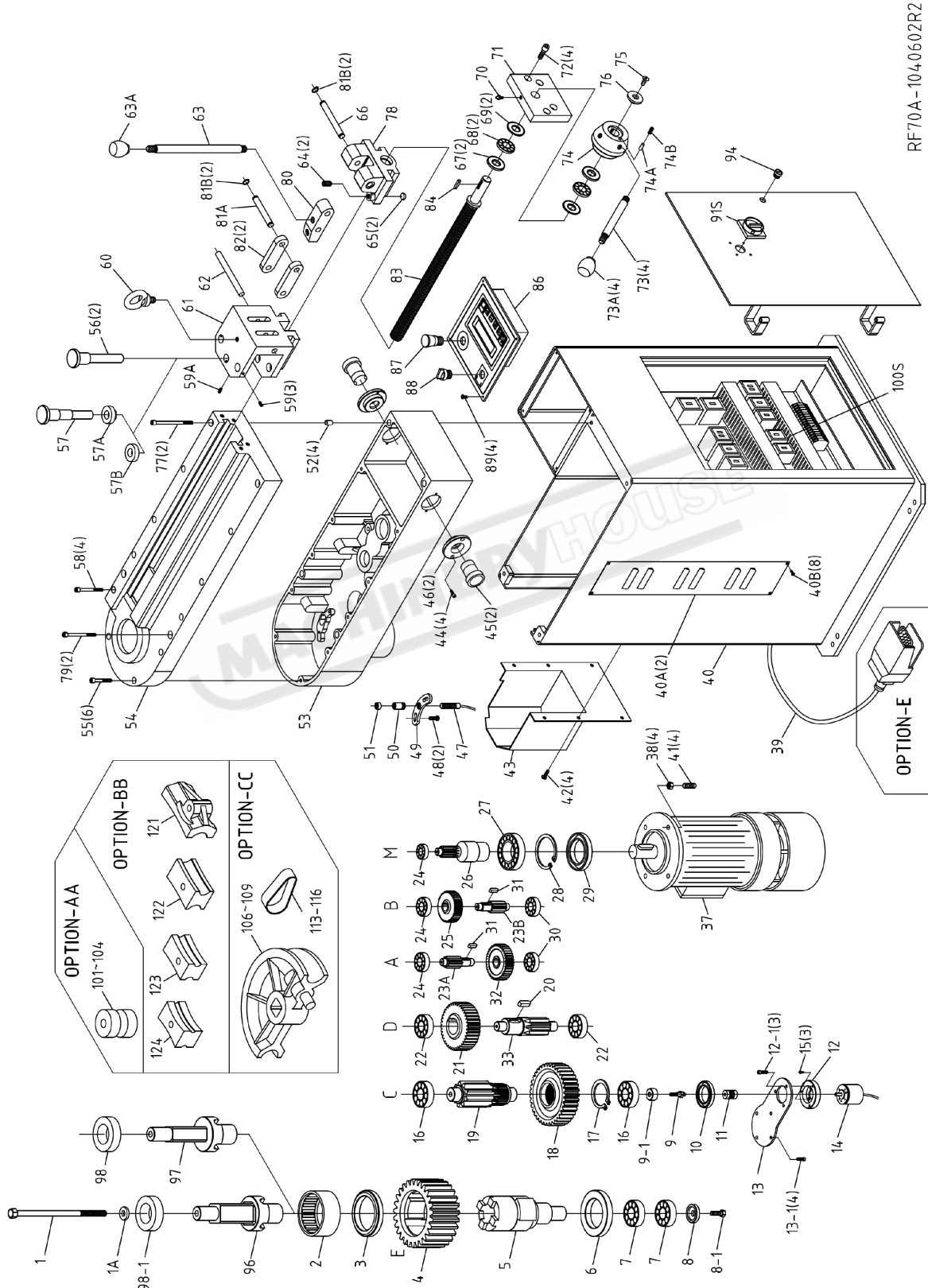
TB-70 ELECTRICAL DIAGRAM (415VOLT) Cont.



TB-70 ELECTRICAL DIAGRAM (415VOLT) Cont.



TB-70 SPARE PARTS DIAGRAM



RF70A-1040602R2

TB-70 SPARE PARTS LIST

No.	Part No.	Description	Specification	Qty
1	168748	Leadscrew		1
1A	168747	Bushing		1
2	CANK7535	Bearing	NK75/35(92B)	1
3	168718	Shaft Bushing(B)		1
4	168717	Gear		1
5	168715	Power Shaft		1
6	168716	Shaft Bushing(A)		1
7	CA30206J	Tapered Bearing	#30206J	2
8	168730	Washer Ring		1
9	168731	Fixed Bolt		1
10	HG042	Oil Seal	TC40X62X10b	1
11	168770	Connecting shaft		1
12	168750	Connect Plate		1
13	HS230	Hex. Socket Head Screw	M6X20L	2
14	ET2501	Encoder		1
15	HS610	Flat Cross Head Screw	M5X10L	3
16	CANJ2206	Bearing	#NJ2206	2
17	HCS24	C-Retainer Ring	S42	1
18	168722	Gear		1
19	168721	Gear		1
20	HK139	Key	10X8X30L	1
21	168720	Gear		1
22	CANJ2304	Bearing	#NJ2304	2
23A	168723	Gear		1
23B	168725	Gear		1
24	CA6202RS	Bearing	#6202RS	3
25	168726	Gear		1
26	168727	Gear		1
27	CA60082RS	Bearing	#6008-2RS	1
28	HCR09	C-Retainer Ring	R68	1
29	HG043	Oil Seal	TC40X68X10b	1
30	MCA6202ZZ	Bearing	#6202	2
31	HK025	Key	6X6X20L	2
32	168724	Gear		1
33	168719	Gear		1
37	MFV2165-1	Motor		1
38	HN006	Hex. Nut	M10	4
39				1
40	168701	Stand		1

TB-70 SPARE PARTS LIST Cont.

No.	Part No.	Description	Specification	Qty
40A	168702	Chip Tray		2
40B	HT026	Cross Round Head Screw	M5X12L	8
40C	168702-1	Vesicant Pad	10X10X1750L	1
41	HS444	Hex. Socket Headless Screw	M10X40L	4
42	HT016	Cross Round Head Screw	M6X12L	4
43	168703	Cover		1
44	HS218	Hex. Socket Head Screw	M5X10L	4
45	MET1276	Push-Button Switch		2
46	168749	Bushing		2
47	ET1641	Sensor		1
48	HS229	Hex. Socket Head Screw	M6X15L	2
49	168765	Connect Plate		1
50	168766	Connecting pipe		1
51	168767	Register Sensor		1
52	168732	Positioning Ring		4
53	168710	Reduction box		1
54	168711	Box reduction cap		1
55	HS250	Hex. Socket Head Screw	M8x60L	6
56	168036	Pin		2
57	168052	Pin		1
57A	168053	Base Broad		1
57B	168041	Interval Ring		1
58	HS324	Hex. Socket Head Screw	M8x90L	4
59	HS462	Hex. Socket Headless Screw	M6X8L	3
59A	HS422	Hex. Socket Headless Screw	M6X10L	1
60	HI413	Ring Bolt	M12	1
61	168709	Fixed Board		1
62	168737	Shaft(C)		1
63	168043	Locking lever		1
63A	290086	Plastic Round Knob		1
64	HS464	Hex. Socket Headless Screw	M12X16L	2
65	168739	Screw rod washer		2
66	168735	Shaft(A)		1
67	CAGS2035	Sheaths	#GS2035	2
68	CANTB2035	Bearing	#NTB2035	2
69	CAAS2035	Sheaths	#AS2035	2
70	HB501	Grease Nipple	PT-1/8"	1
71	168745	Vice Plate		1
72	HS259	Hex. Socket Head Screw	M10X25L	4

TB-70 SPARE PARTS LIST Cont.

No.	Part No.	Description	Specification	Qty
73	168744	Handle Rod		4
73A	290086	Plastic Round Knob		4
74	168743	Handle Body		1
74A	168741	Shaft Block		1
74B	HS434	Hex. Socket Headless Screw	M8X30L	1
75	HS619	Flat Cross Head Screw	M8X20L	1
76	168742	Chunk		1
77	HS367	Hex. Socket Head Screw	M10X190L	2
78	168708	Quick Positioner		1
79	HS368	Hex. Socket Head Screw	M10X160L	2
80	168740	Shaft Block		1
81A	168736	Shaft(B)		1
81B	HCS02	C-Retainer Ring	S12	4
82	168738	Shaft Plate		2
83	168746	Leadscrew		1
84	HK009	Key	5X5X25L	1
86	168764	Name Plate		1
86-1	ET2557	Controller	Single Bending	1
86-1	ET2557-1	Controller	Multiple Bending	1
87	MET1245	Emergency Switch		1
88	MET1222	Selector Switch		1
89	HT026	Cross Round Head Screw	M5X12L	4
91S	MET1732	Power Switch		1
94	168777	Key Lock		1
96	168707-1	Output shaft(42)		1
97	168707	Output shaft(32)		1
98	168030A	Interval Ring		1
98-1	168706	Interval Ring	Ø54	1
100S		Electronic Control Module		1
101	168054	D213 Roll	1/2"G (Optional)	2
102	168055	D337 Roll	1"G (Optional)	2
103	168056	D423Roll	1 1/4"G (Optional)	2
104	168773	D483 Roll	1 1/2"G (Optional)	2
106	168771	D483 Former	1 1/2"G (Optional)	1
107	168007	D213 Former	1/2"G (Optional)	1
108	168008	D337 Former	1"G (Optional)	1
109	168009	D423 Former	1 1/4"G (Optional)	1
113	168068	Ring-2	1/2"G (Optional)	1
114	168069	Ring-3	1"G (Optional)	1

TB-70 SPARE PARTS LIST Cont.

No.	Part No.	Description	Specification	Qty
115	168070	Ring-4	1 1/4"G (Optional)	1
116	168089	D51 Ring	D51/1 1/2"G (Optional)	1
121	168755	Gib(A)	1 1/4"G(Ø42.7) (Optional)	1
122	168756	Gib(B)	1"G(Ø34)X3/4"G(Ø27.2) (Optional)	1
123	168757	Gib(C)	1/2"G(Ø21.7)X3/8"G(Ø17.3) (Optional)	1
124	168758	Gib(D)	1/4"G(Ø13.8)X1/8"G(Ø10.5) (Optional)	1

MACHINERYHOUSE